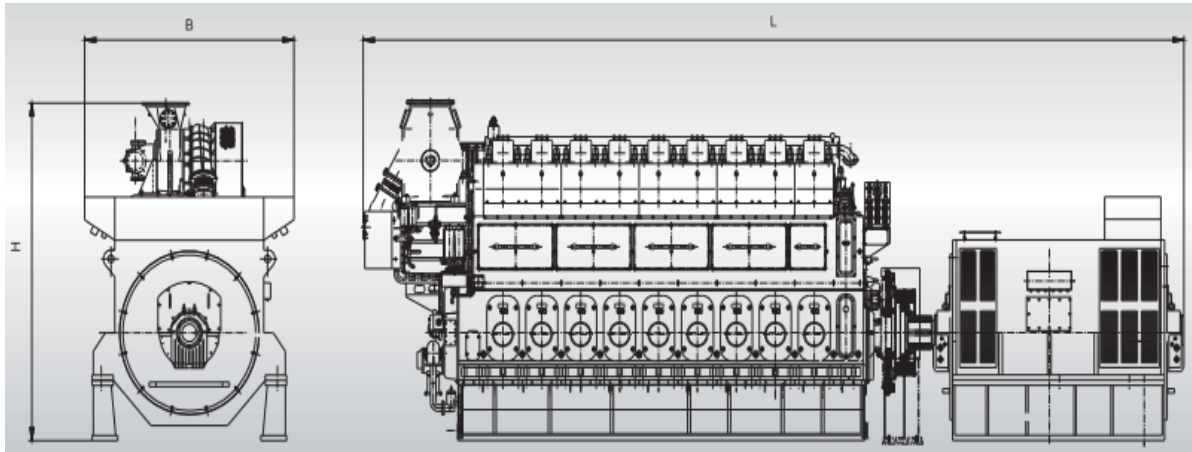


L8230ZLD

Bore 225 mm, Stroke 290 mm

Main Data					
Speed	1000 rpm		900 rpm		
Frequency	50 Hz		60 Hz		
Model	Genset. kw	Engine. kw	Genset. kw	Engine. kw	
1500GF	1,500	1617	-	-	
1250GF	-	-	1,250	1324	
Based on alternator efficiency of 95%.					
Specific Consumption					
100% Load		Unit			
Fuel Oil Consumption		g/kWh		190	
Lube oil consumption		g/kWh		0.5-0.8	
Dimensions					
Speed	Cyl.	Dimensions (mm) ¹⁾			Dry Mass (ton) ²⁾
		L	B	H	Genset ^{1),3)}
	8	6,510	1,738	2,780	24



Remarks:

- 1) Depending on alternator.
- 2) Weight included a standard alternator (Maker: ZCP).
- 3) With common base frame & alternator.
- 4) This size is only for reference. The actual size is subject to the size defined in the agreement of the specific project..

URL: <http://www.soarpower.com>

E-mail: sale@soarpower.com

Phone: +86-4008111308